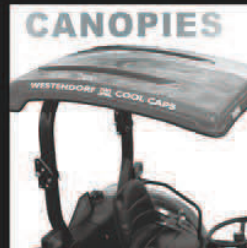


2020



# WESTENDORF

SALES MANUAL AND PRICE GUIDE



# HAY HANDLING ATTACHMENTS

Prices Effective as of 1-21

## HAY HANDLING ATTACHMENTS



### 4X BALE STACKER

P/N: HSP-94  
Spears: 49.25"



The **4X Bale Stacker** offers incredible capacity to the back of your tractor. It's 4 bale capacity will turn your tractor into a bale moving monster when pair with a Stack Saver on your loader!



P/N	Description	Price
HSP-94	Hydraulic Quad Spear	5,200

### FITS FOR ALL QUICK ATTACH STYLES

2 or 3 Prong variations available

SKID STEER

JD QUICK ATTACH

EURO/GLOBAL

P/N	Pkg #	Price
SP-E2	2 Spear - For Euro Attach	580
SP-E3	3 Spear - For Euro Attach	520
SP-J2	2 Spear - For JD Quick Attach	580
SL-J3	3 Spear - For JD Quick Attach	520
SP-S2	2 Spear - For Univ.Skid Steer	580
SP-S3	3 Spear - For Univ.Skid Steer	520

## BALE SPEARS AND HAY HANDLING

	100 SERIES	WL SERIES	TA SERIES	XTA SERIES	CUSTOM CONTOUR	FREEDOM MOUNT	MAX SERIES
	TA-55 TA-111 TA-140 TA-160 TA-170 TA-175 TA-180 TA-185	WL-27 WL-42 / 44 WL-61 / 64	TA-25 TA-26 TA-26 Plus TA-26-12 TA-28 TA-28 Plus TA-29 TA-45 TA-46 TA-48 TA-76 TA-77	XTA-400 XTA-700	CC-330 CC-340 CC-360 CC-370	FM-540 FM-550 / 560 FM-570 FM-580 FM-585	MAX420/420L MAX440/440L
PRICE							
SQ-80 Squeezer	1,800	•	•	•	•	•	•
BH-15 Bale Handler	4,250	•	•	•	•	•	•
SP-22 Bucket Mount Bale Spear	350	•	•	•	•	•	•
SP-160 100 Series Bale Spear	350	•	•	•	•	•	•
SP-42 2-Prong Bale Spear	650	•	•	•	•	•	•
SP-43 3-Prong Bale Spear	600	•	•	•	•	•	•
SP-72 2-Prong Bale Spear	675	•	•	•	•	•	•
SP-76 3-Prong Bale Spear	725	•	•	•	•	•	•
SP-74 4-Prong Bale Spear	775	•	•	•	•	•	•
SP-2B 4-Tine Double Bale Spear	1,200	•	•	•	•	•	•
SS-I Stack Saver - I	750	•	•	•	•	•	•
SS-II-3 Stack Saver - II	800	•	•	•	•	•	•
SS-II-3L Stack Saver - II	840	•	•	•	•	•	•
SS-II-4 Stack Saver - II	850	•	•	•	•	•	•
ADAPTER OPTIONS	PRICE						

(1) When ordering for 70 Series loader, requires P-7 Extension Plate



Prices and Specifications may be subject to change without notice. Prices do not include shipping or setup.

# HAY HANDLING ATTACHMENTS

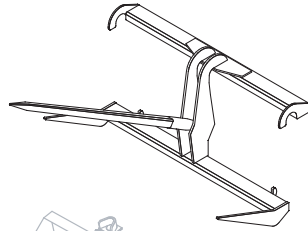


Prices Effective as of 1-21

## BALE SPEARS AND STACK SAVERS

### BALE SPEAR

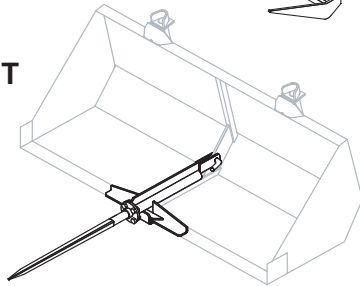
Part Number: **SP-160**  
Spear: 49.25"



### BUCKET MOUNT SPEAR

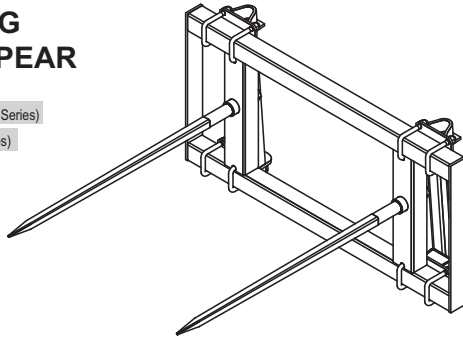
Part Number: **SP-22**  
Spear: 49.25"

(for 72P214, 72Q214, 84P216 & 84Q216 buckets)



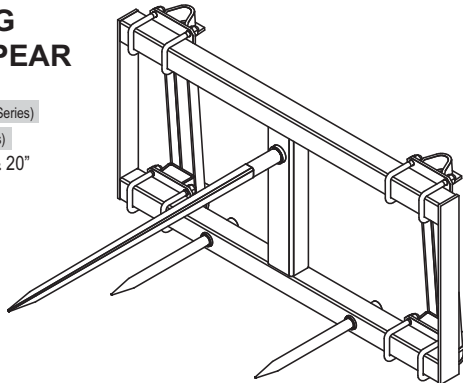
### 2-PRONG BALE SPEAR

Part Number:  
**SP-42** (for 20 & 40 Series)  
**SP-72** (for 70 Series)  
Spears: 49.25"



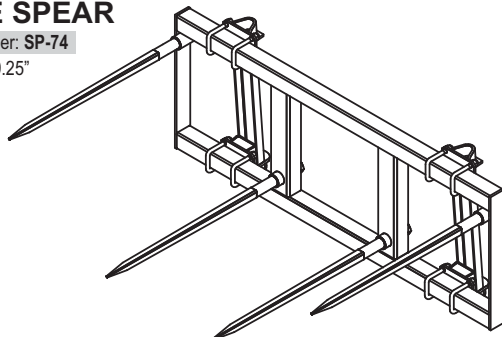
### 3-PRONG BALE SPEAR

Part Number:  
**SP-43** (for 20 & 40 Series)  
**SP-76** (for 70 Series)  
Spears: 49.25" & 20"



### 4-PRONG BALE SPEAR

Part Number: **SP-74**  
Spears: 49.25"



## THE NEXT GENERATION OF BALE SPEARS!

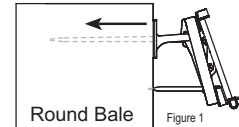
**Automatic Push-Off**  
*NO Added Cylinders, Valves or Hoses*

### STACK SAVER I w/Automatic Push-Off

For handling large round bales. Eliminates bales that stick to save time and money. It makes neater stacks without added hydraulics.

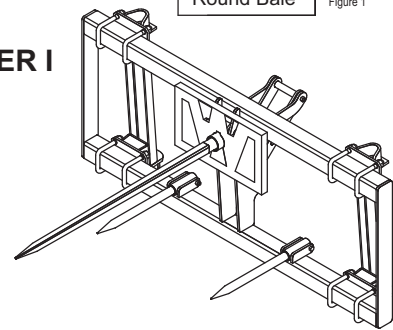


Stack Saver I utilizes push off plate to hold bale and push it off the spear with the bucket cylinders. See Figure 1.



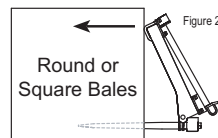
### 3-PRONG STACK SAVER I

Part Number: **SS-I**  
Spears: 49.25" & 20"



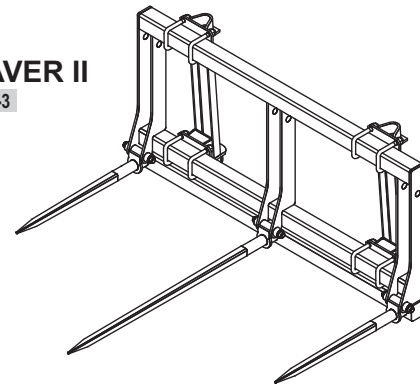
### STACK SAVER II w/Automatic Push-Off

Does NOT require added hydraulics, cylinders or 3rd Line for push-off. The Stack Saver II uses the top frame to hold bale stationary as bucket cylinders pull the spears out of the bale. See Figure 2.



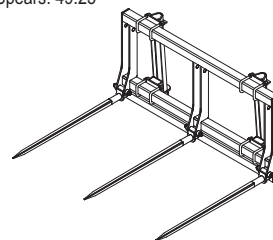
### 3-PRONG STACK SAVER II

Part Number: **SS-II-3**  
Lg. Spear: 49.25"  
Sm. Spears: 31.5"



### 3-PRONG STACK SAVER II

Part Number: **SS-II-3L**  
Spears: 49.25"



### 4-PRONG STACK SAVER II

Part Number: **SS-II-4**  
Spears: 31.5"

